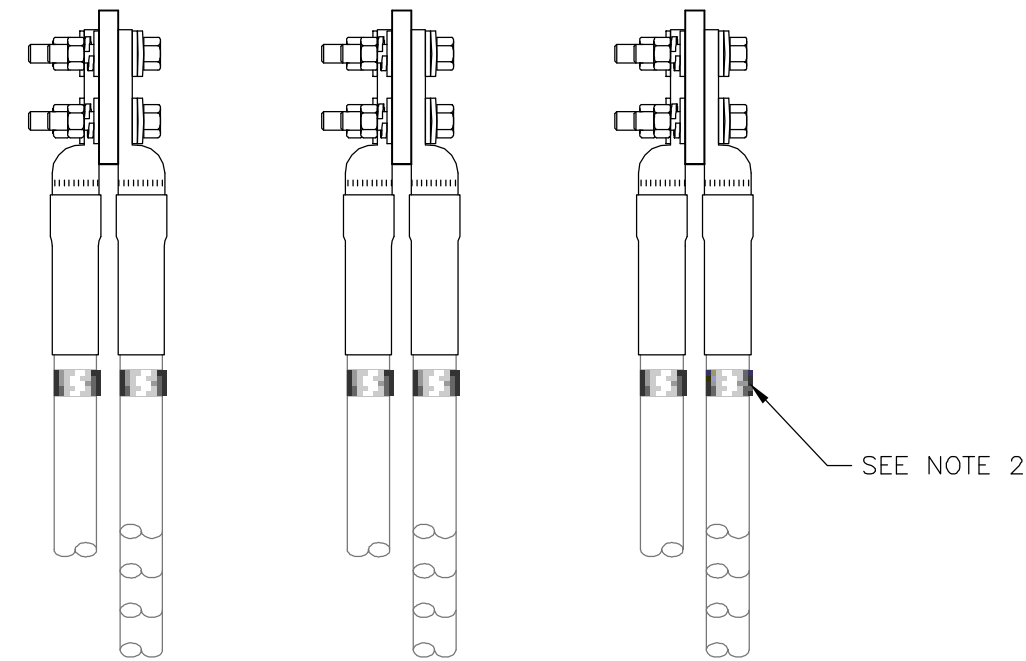
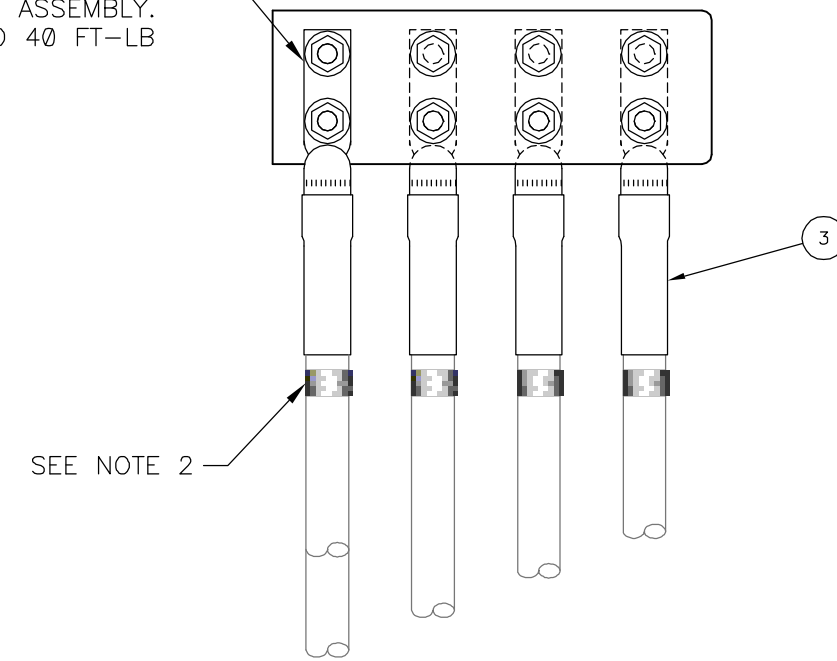
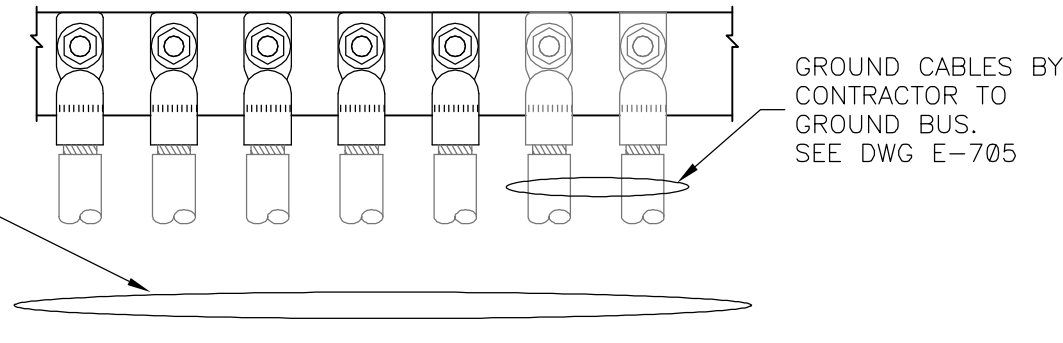


NOTE:
USE OXIDE INHIBITOR PASTE
BETWEEN ALUMINUM LUGS AND
CONTROLLER BUS.
ALL NON-PLATED ALUMINUM
SURFACES ARE TO BE ABRASSED AND
COATED WITH SEALANT IMMEDIATELY
BEFORE ASSEMBLY.
TORQUE BOLTS TO 40 FT-LB

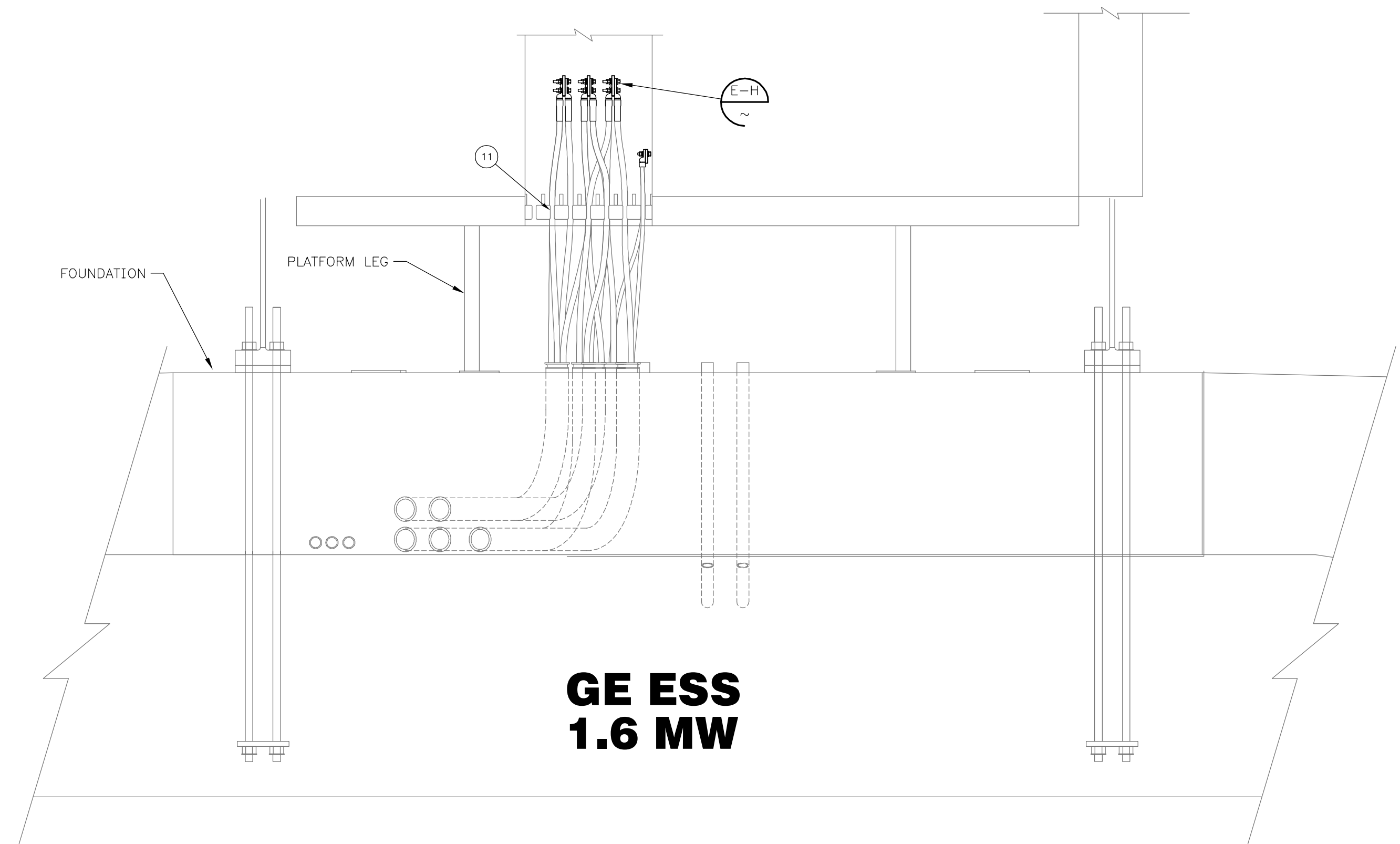


NOTE:
REMOVE PLATFORM HORIZONTAL
SECTION AND ESS CABINET
HORIZONTAL BEAM SECTION TO
ALLOW INSTALLATION OF CABLE.
USE CABLE LUBRICANT (ITEM 12)
TO FACILITATE INSTALLATION OF
CABLES INTO FOAM PADS. REFER
TO GE WORK INSTRUCTIONS FOR
DETAILS OF INSTALLATION.

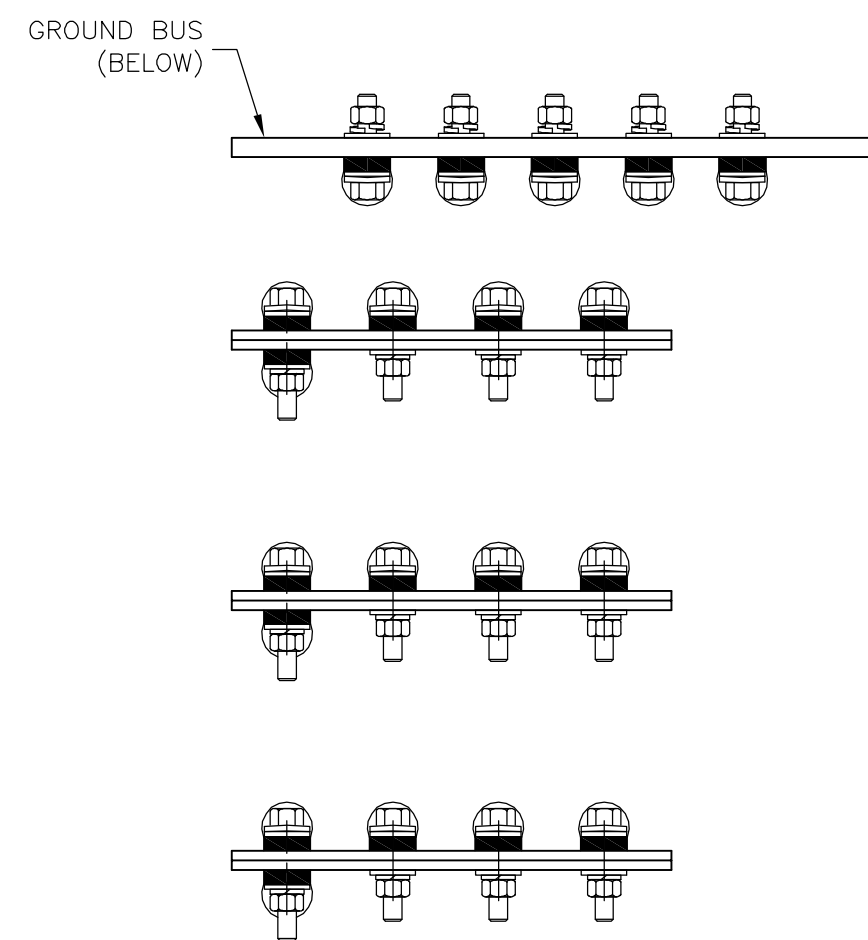


E CONTROLLER CONNECTIONS - SIDE VIEW

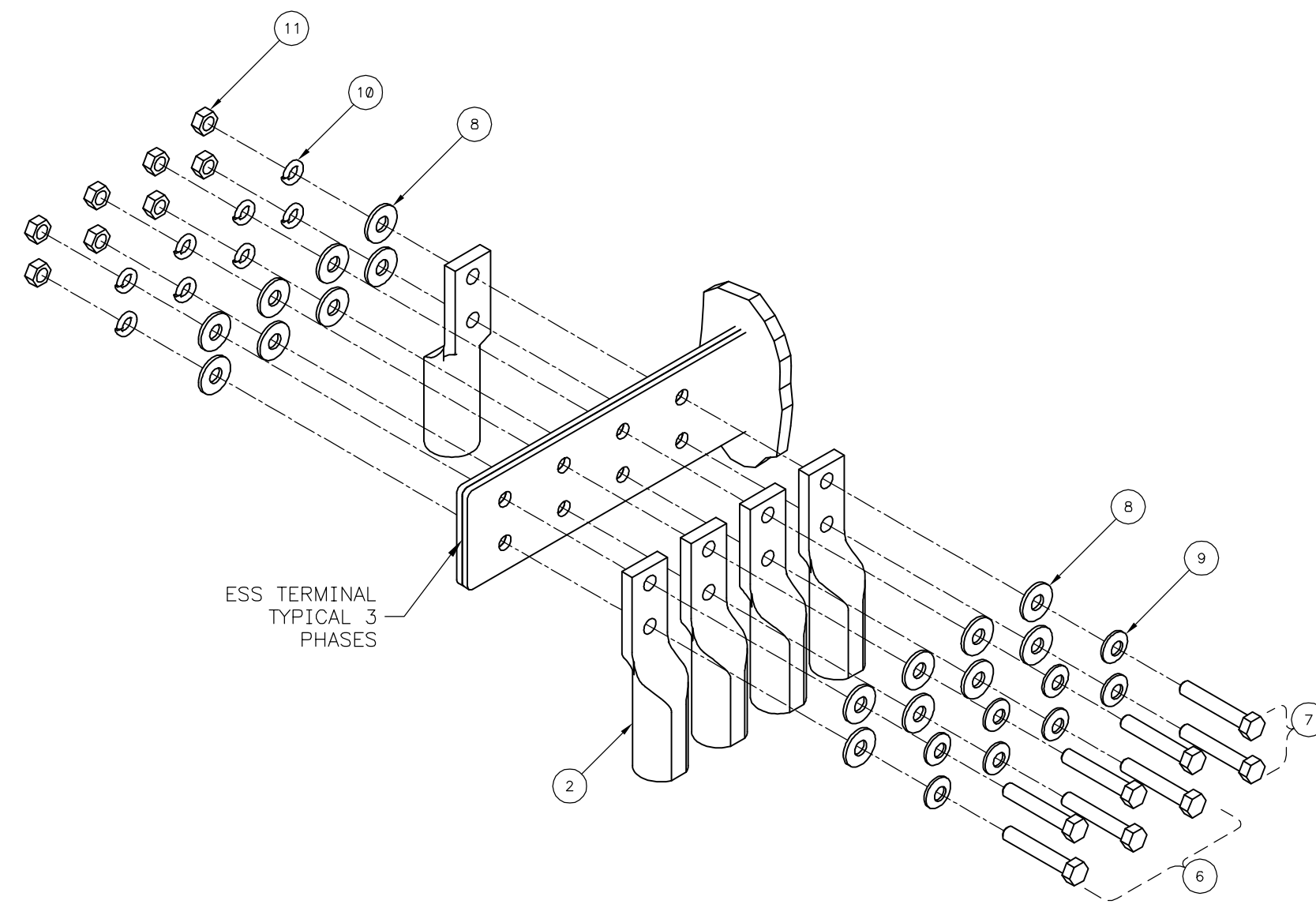
F CONTROLLER CONNECTIONS - FRONT VIEW



**GE ESS
1.6 MW**



G CONTROLLER CONNECTIONS - TOP VIEW



H CONTROLLER CONNECTIONS - EXPLODED ISOMETRIC VIEW
TYPICAL ALL 3 PHASES

WF5664-1
TURBINE SITE, CONTROLLER CONNECTIONS, ESS 690/398V

ITEM	QTY	MATID	UNIT	DESCRIPTION
1	5	14064	EA	LUG, COMPRESSION, COPPER, 1 HOLE, 1/2" STUD, 250 KCMIL
2	15	14029	EA	LUG, COMPRESSION, ALUM, 2 HOLE, 1000 KCMIL COMPACT
3	15	40275	EA	LUG COVER, SECONDARY, COLD SHRINK, 0.95"-1.94" X 6"
4	0.25	90250	EA	COMPOUND, OXIDE INHIBITOR, NO GRIT
5	0.5	90406	EA	FOAM, DUCT SEALING, FIRE BLOCK, 24 OZ CAN, 1800 CU IN
6	18	12208	EA	BOLT, 18-8 OR 316 STAINLESS, 1/2"-13 X 2-1/2", FULLY THREADED
7	6	12207	EA	BOLT, 18-8 OR 316 STAINLESS, 1/2"-13 X 3", FULLY THREADED
8	48	12542	EA	WASHER, STAINLESS, FLAT, ROUND, 1/2" USS, 1.375" OD, 0.109" TK
9	24	12532	EA	WASHER, BELLEVILLE, STAINLESS, 1/2", 1.142" OD, 4700 LB
10	24	12540	EA	WASHER, HELICAL SPRING LOCK, 18-8 OR 316 STAINLESS, 1/2" REGULAR, PER ASME B18.21.1
11	24	12362	EA	NUT, 1/2" ALLOY 650 SILICON BRONZE
12	0.05	90260	QT	CABLE PULLING LUBRICANT

NOTES:

- MARK EACH CIRCUIT WITH DESTINATION.
- MARK EACH CABLE WITH COLORED TAPE: (SEE SPECIFICATIONS).

PHASE	BUSHING	SECONDARY
φA	L1	BROWN
φB	L2	ORANGE
φC	L3	YELLOW
- SEE SPECIFICATIONS FOR SECONDARY BOLT TIGHTENING PROCEDURES.

THIS DOCUMENT ORIGINALLY
ISSUED AND SEALED BY
RICHARD D. KLINE,
PROFESSIONAL ENGINEER,
20035, ON 05/17/12. THIS
MEDIA SHOULD NOT BE
CONSIDERED A CERTIFIED
DOCUMENT.

MODULE NUMBER: **WF5664-1**

**ISSUED
FOR CONSTRUCTION**

P & E ENGINEERING CO.
POWER SYSTEM ANALYSIS AND DESIGN
245 S. 5th
P.O. Box 620
Carlisle, IA 50047
Office: 515-989-3083
FAX: 515-989-3138
peengr@peengr.com

**NEXTERA
ENERGY**
RESOURCES

REV NO.	DESCRIPTION	ENG	DWN	CHKD	DATE	ENG: P&E
A	ORIGINAL DESIGN	P&E	RMB	MCR	04/30/12	DRAWN: RMB
0	ISSUED FOR CONSTRUCTION	P&E	RMB	MCR	05/17/12	CHKD: MCR
						APPR: RDK
						DATE: 04/30/12

CLIENT/PROJECT:	NEXTERA ENERGY RESOURCES MINCO WIND III, LLC
TITLE:	GE ESS 1.6 MW TURBINE SITE - 690V CONTROLLER CONNECTION DETAILS
SCALE:	MEASURE ON D-SIZE ONLY N.T.S.
DRAWING NUMBER:	E8861-715
REVISION NUMBER:	0