

BOB EDGE CENTRAL PRODUCTS -
304-842-5996 OR 304-629-1866 OR bobedge@cp4mv.com
"CENTRAL PRODUCTS 4 ALL YOUR MEDIUM VOLTAGE NEEDS"

Numbers & Letters 1", 2", 3", 6", 8", & 12"

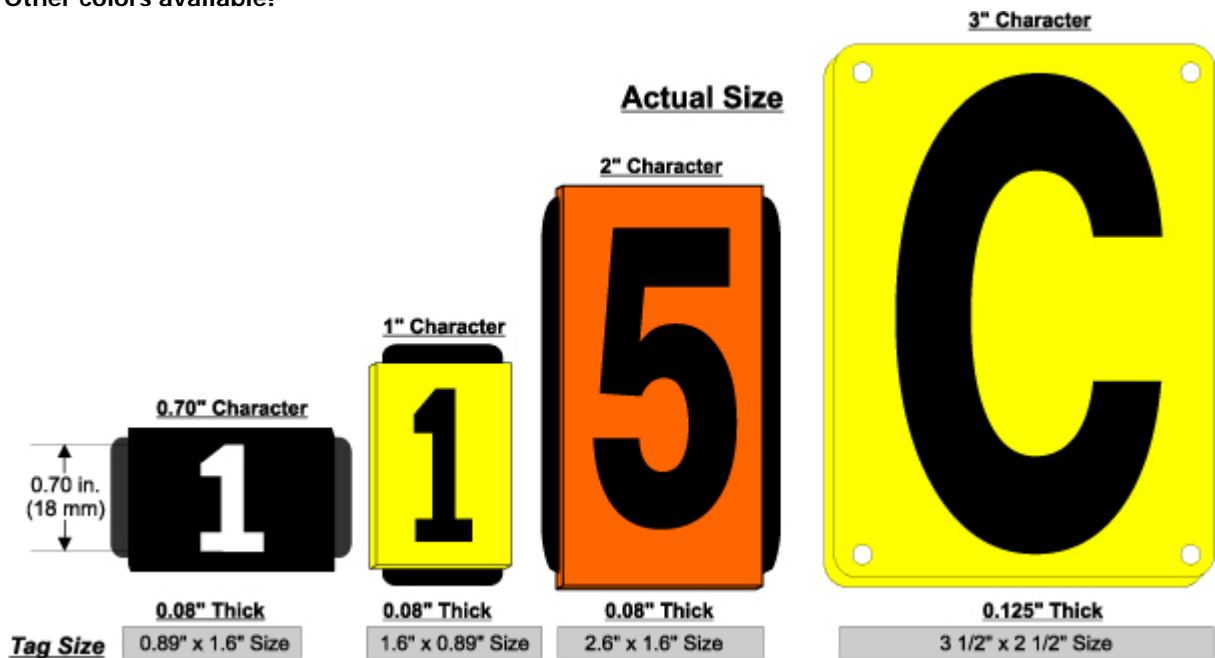
Mount Horizontal or Vertical
Mount in Aluminum or Poly Tag Holders

Solid Black Polypropylene characters...
Letters are "molded in" not simply painted or screened.

Everlast withstands saltwater, acid, rain, groundwater, chemicals, alkalies & acid solutions and temperatures from -40 to 200 degrees F.

Yellow, Orange or Black Background.
White or Black Numbers & Letters.

Other colors available!



6" Character



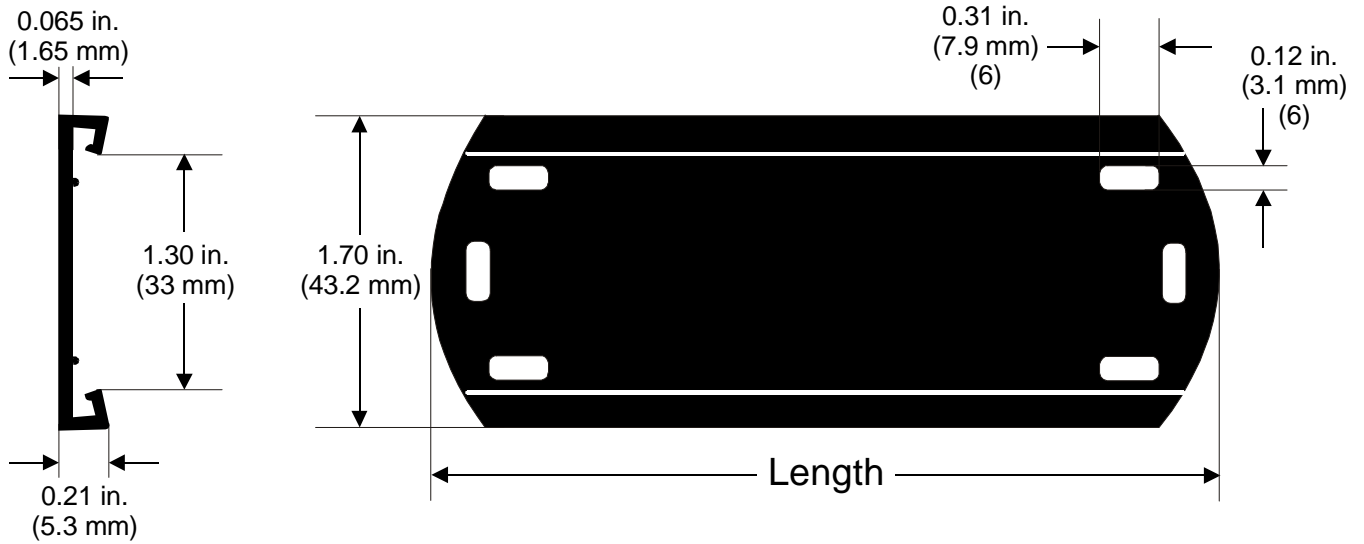
8" Character



12" Char.



Poly Tag Holder for Standard Size Tags



POLY TAG HOLDER for marking underground cables, vaults, manholes ducts, pipes, etc. The same holder can be used for both horizontally and vertically oriented tags. All holders have slots for installation using nylon cable ties or nails.

MATERIAL

Extruded Polyethylene with a minimum of 2.5% carbon black.

SPECIFY AS

0.060 in. thick black poly tag holder for both vertical and horizontal mounting of 1.57 in. x 0.89 in. tags. Punched with six slots.

For tag specification see SPEC1EVL or SPEC1_3D

Capacity	Item Codes	Length(in.)	Length(mm)
1 tag	PH101	2.4	61
2 tags	PH102	3.3	83
3 tags	PH103	4.1	105
4 tags	PH104	5.0	127
5 tags	PH105	5.9	149
6 tags	PH106	6.8	172
7 tags	PH107	7.6	194
8 tags	PH108	8.5	216
9 tags	PH109	9.4	238
10 tags	PH110	10.3	260
11 tags	PH111	11.1	283
12 tags	PH112	12.0	305
13 tags	PH113	12.9	327
14 tags	PH114	13.8	349
15 tags	PH115	14.6	372
in bulk	PH1BULK	100 ft	30.5 m



Vertically oriented PH104
(shown smaller than actual size)



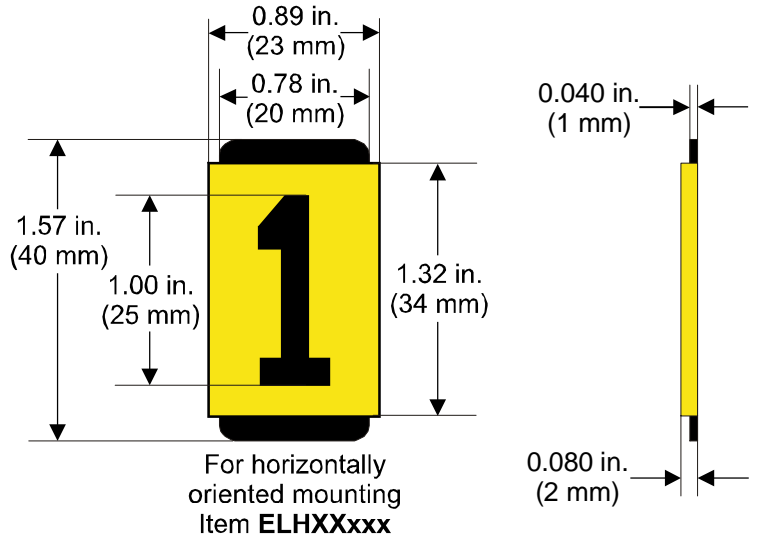
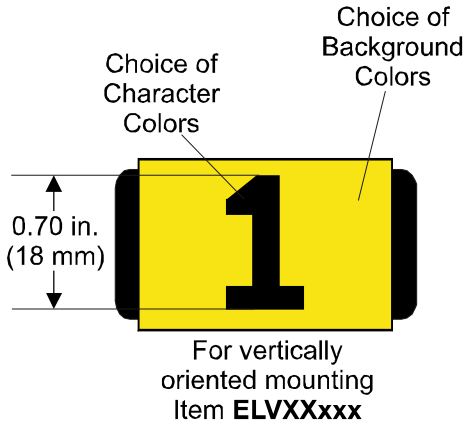
Horizontally oriented PH104
(shown smaller than actual size)

MVSG-LLC
BOB EDGE 304-842-5996 OR
bobedge@mediumvoltageservice.com

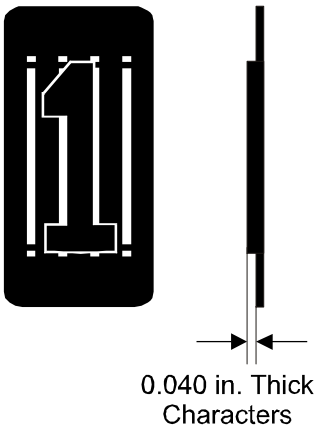
Standard Size Identification Tags

POLY TAGS

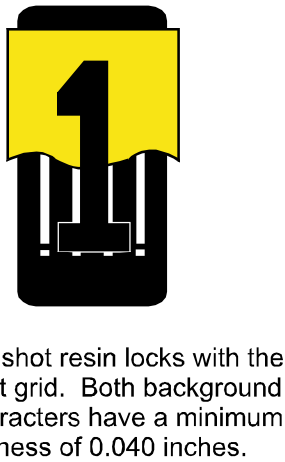
TWO COLOR INJECTION MOLDED



First Shot



Second Shot Molding Process



MATERIAL

High impact polypropylene with excellent cold impact resistance. UV stabilizers and antioxidants added to provide complete protection and weather resistance in all climates.

ITEM CODES

ELVXXxxx or ELHXXxxx

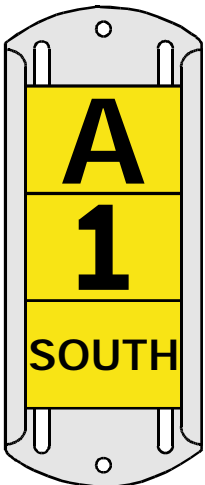
- V= Vertically oriented mounting
- H= Horizontally oriented mounting
- Y= Yellow background (standard)
- O= Orange background (available)
- K= Black background (available)
- K= Black copy color (standard)
- W= White copy color (available)
- xxx=Copy code(see attached list)

SEE ATTACHED LIST FOR STOCK SYMBOLS AND WORDINGS

SPECIFY AS

1.57 in. x 0.89 in. x 0.080 in. tags with injection molded characters integral with locking grids. Color additives and UV stabilizers molded throughout the tags. Both background and copy have a thickness of 0.040 inches.

INSTALLATION GUIDELINES



ALUMINUM TAG HOLDER

AH1xx (xx=tag capacity)

For marking poles, pedestals, switch cabinets, transformers, etc. both horizontally and vertically using nails, screws, rivets, or metal bands. Crimp channel ends to retain tags in holder. See Spec Sheet SPEC AH1

Vertically oriented AH103 (shown smaller than actual size)

POLYETHYLENE TAG HOLDER

PH1xx (xx=tag capacity)

For marking underground cables, vaults, manholes, ducts, pipes, etc. using nylon tie straps. See Spec Sheet SPEC PH1



Horizontally oriented PH104 (shown smaller than actual size)

MVSG-LLC
BOB EDGE 304-842-5996 OR
bobedge@mediumvoltageservice.com