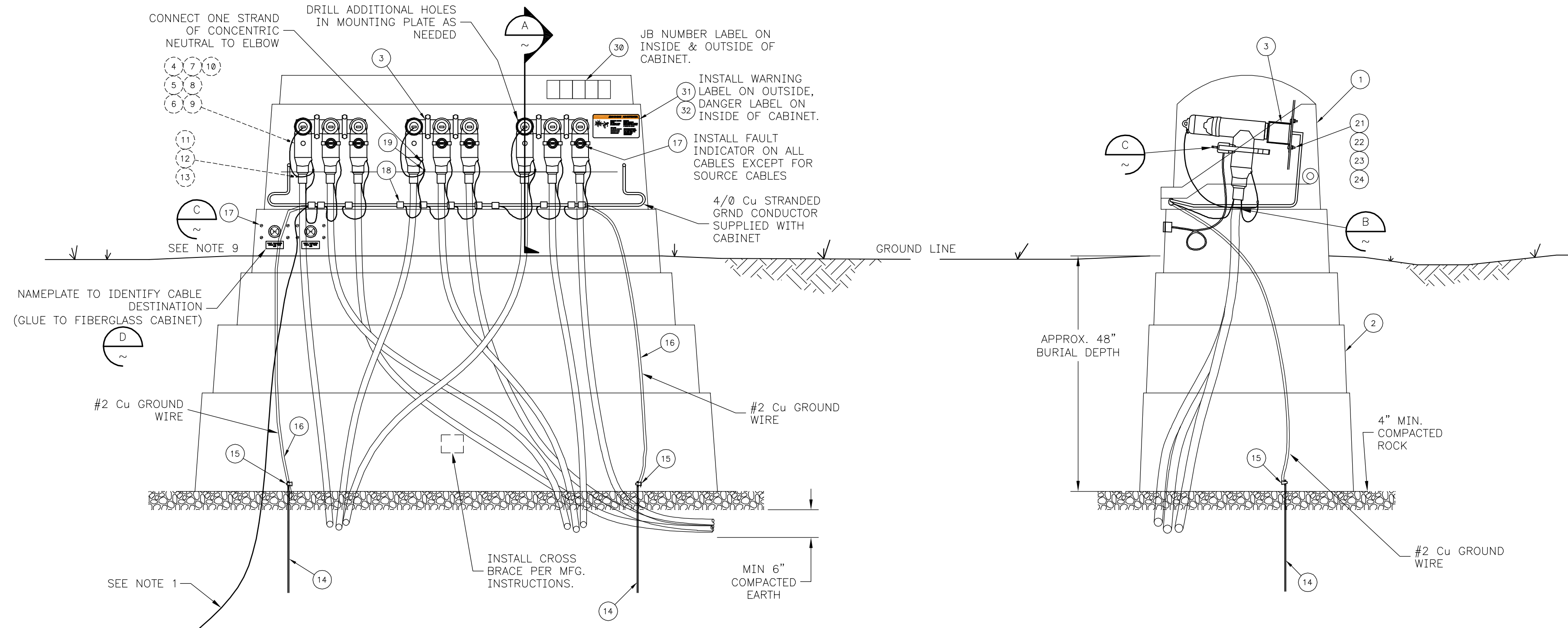
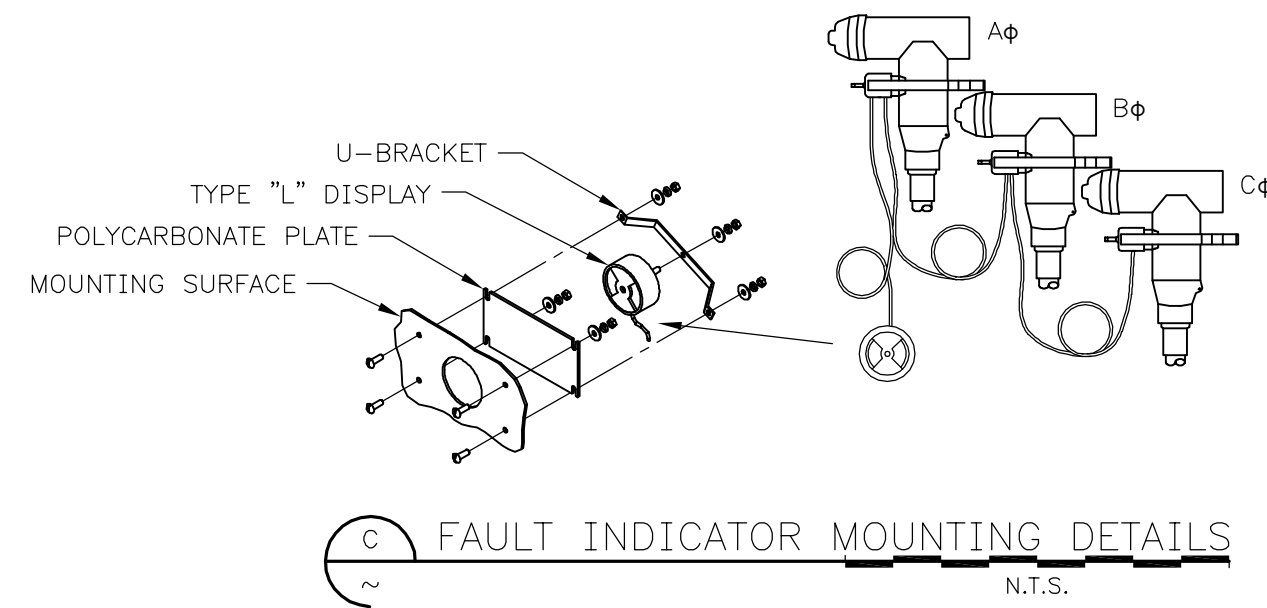


BOB EDGE 304-842-5996 OR 304-629-1866 - bobedge@cp4mv.com
 518 OAKDALE AVE BRIDGEPORT WV 26330
 *CENTRAL PRODUCTS 4 ALL YOUR MEDIUM VOLTAGE NEEDS

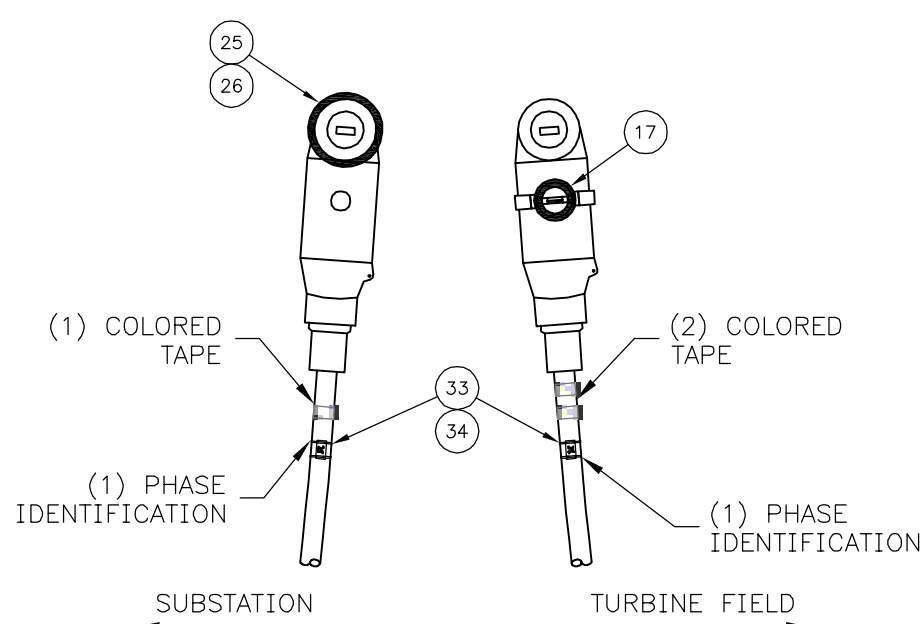


ITEM	QTY	MATID	UNIT	DESCRIPTION
JCT CAB, 3 WAY, 35 KV, 600A, TABLE				
1	1	58605	EA	CABINET, JUNCTION, 3 PH, 68", WITH GRND BUS
2	1	58606	EA	EXTENSION FOR JUNCTION CABINET 58605, 68" X 36"
3	3	40391	EA	JUNCTION, 3 POINT, 600 AMP, 35 KV, W/ STRAPS
4		99999		NOT USED
5	TABLE	41031	EA	ELBOW, 600 AMP, 35 KV, 4/0 AL, 345 MILS
6	TABLE	41034	EA	ELBOW, 600 AMP, 35 KV, 500 KCMIL AL, 345 MILS
7		99999		NOT USED
8	TABLE	41036	EA	ELBOW, 600 AMP, 35 KV, 1000 KCMIL AL, 345 MILS
9	TABLE	41037	EA	ELBOW, 600 AMP, 35 KV, 1250 KCMIL AL, 345 MILS
10		99999		NOT USED
11		99999		NOT USED
12	TABLE	40031	EA	SEAL, CABLE JACKET, COLD SHRINK, 2.67" ID
13	TABLE	40032	EA	SEAL, CABLE JACKET, COLD SHRINK, 3.5" ID
14	2	10404	EA	ROD, GROUND, 5/8" X 10', COPPERWELD
15	2	10406	EA	CONNECTOR, 5/8" GROUND ROD TO #2-250 KCMIL CU
16	20	05042	FT	WIRE, #2 SOLID COPPER, SD, BARE
17	2	40514	EA	FLT IND, 3 PH, TST PT MTD, 600 AMP, W/ LARGE RMT IND, 1200 A TRIP
18	12	14237	EA	CONNECTOR, COMP GRD, 3/0-250 KCMIL TO #6-2/0
19	6	14154	EA	CONNECTOR, SPLIT BOLT, COPPER, 12-8
20		99999		NOT USED
21	12	12381	EA	BOLT, PLATED STEEL, GRADE 5, 3/8"-16 X 1"
22	12	12387	EA	WASHER, SPLIT LOCK, PLATED STEEL, 3/8"
23	12	12388	EA	WASHER, FLAT, USS, PLATED STEEL, 3/8"
24	12	12389	EA	NUT, HEX, PLATED STEEL, GRADE 5, 3/8"-16
25	3	41101	EA	LOADBREAK REDUCING TAP PLUG, 35 KV
26	3	40062	EA	CAP, 200 AMP LOAD BREAK, 35 KV
27		99999		NOT USED
28		99999		NOT USED
29	1	90380	EA	NAMEPLATE, LAMINATED PLASTIC, 1.5" X 3", PER SPECIFICATION
30	12	90370	EA	MARKER, REFLECTIVE, 2.5" LETTERS, WHITE ON BLUE BACKGROUND
31	1	90373	EA	LABEL, MR. OUCH WARNING, PER SPECIFICATIONS
32	1	90374	EA	LABEL, MR. OUCH DANGER, PER SPECIFICATIONS
33	9	90375	EA	LABEL, CABLE MARKING, 1" X 2.75"
34	18	10421	EA	TIE, PLASTIC, 11.5"
35	3	90110	EA	CABLE CLEANING KIT

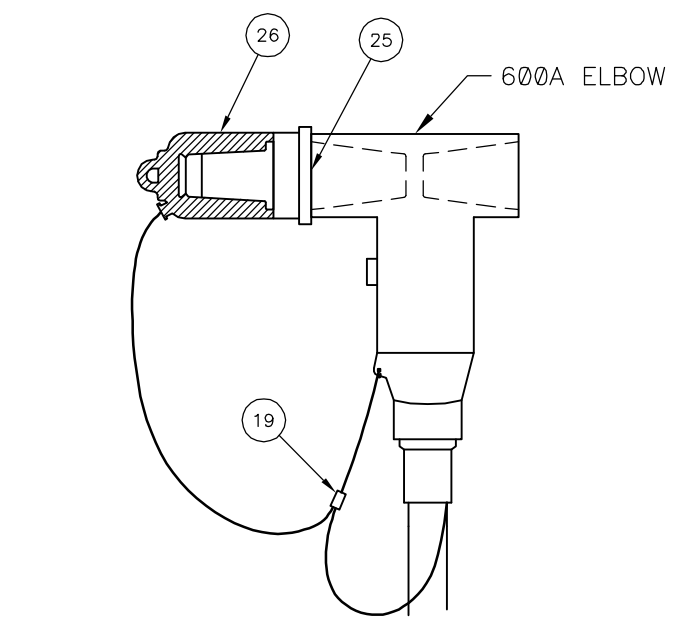
NOTES

- SEE TABLE BELOW FOR VARIABLE MATERIAL QUANTITIES.
- WHEN BARE COPPER SUPPLEMENTAL GROUND IS USED, EXTEND INTO CABINET AND CONNECT DIRECTLY TO CABINET GROUND BUS.
- CONTACT PROJECT MANAGER IF GROUNDING CAN NOT BE INSTALLED AS SHOWN.
- MARK EACH CIRCUIT WITH DESTINATION.
- MARK EACH CABLE WITH BOTH PHASE IDENTIFICATION AND COLOR: (SEE SPECIFICATIONS & DETAIL B)

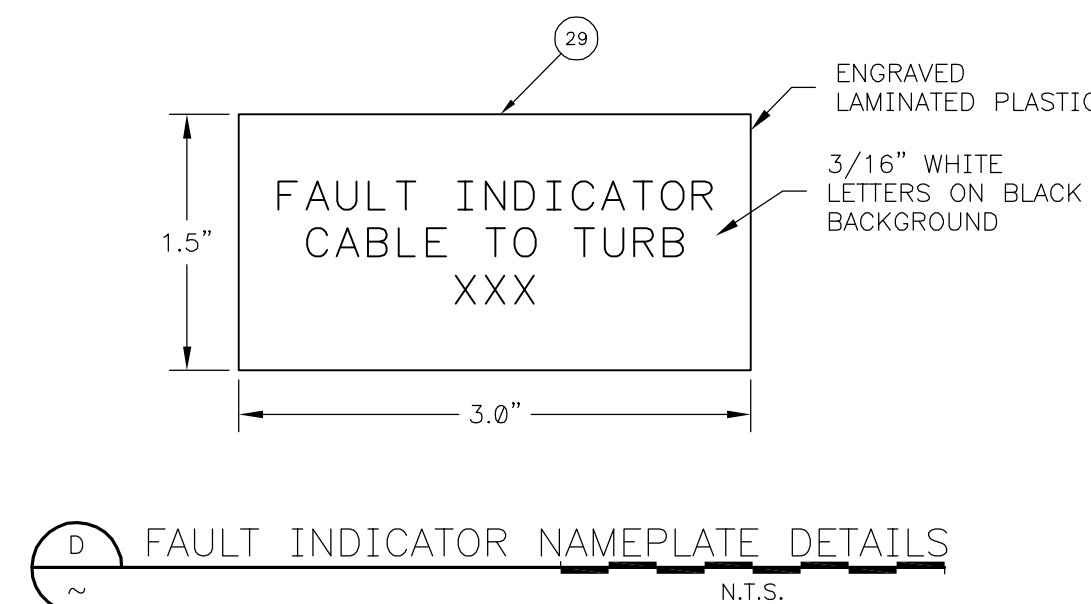
PHASE	PRIMARY
A	BLACK
B	RED
C	BLUE
- PROVIDE AS-BUILT DOCUMENTATION OF GPS COORDINATES OF JUNCTION CABINET LOCATION.
- CABINET EXTENSIONS MAY BE SHIPPED SEPARATELY. FIELD ASSEMBLY TO CABINET AS REQUIRED.
- SEE DRAWING E-729 FOR PROTECTION BOLLARDS.



B DETAIL VIEW - CABLE MARKING N.T.S.



A SECTION VIEW - ADAPTER N.T.S.



D FAULT INDICATOR NAMEPLATE DETAILS N.T.S.

THIS DOCUMENT ORIGINALLY ISSUED AND SEALED BY RICHARD D. KLINE, PROFESSIONAL ENGINEER, 20835, ON 05/17/12. THIS MEDIA SHOULD NOT BE CONSIDERED A CERTIFIED DOCUMENT.

MODULE #	DESCRIPTION	ITEM 5 QTY	ITEM 6 QTY	ITEM 8 QTY	ITEM 9 QTY	ITEM 12 QTY	ITEM 13 QTY
J60444	4/0-4/0-4/0	9	-	-	-	9	-
J60C44	500-4/0-4/0	6	3	-	-	9	-
J60CC4	500-500-4/0	3	6	-	-	9	-
J60GCC	1250-500-500	-	6	-	-	6	3
J60GG4	1250-1250-4/0	3	-	-	6	3	6

REV NO.	DESCRIPTION	ENG	DWN	CHKD	DATE	ENG: P&E	CLIENT/PROJECT:
A	ORIGINAL DESIGN	P&E	RMB	MCR	04/30/12	ENG: P&E	NEXTERA ENERGY RESOURCES MINCO WIND III, LLC
0	ISSUED FOR CONSTRUCTION	P&E	RMB	MCR	05/17/12	DRAWN: RMB	
						CHKD: MCR	TITLE:
						APPR: RDK	JUNCTION CABINET, 3-WAY 35KV 600 AMP ELBOWS
						DATE: 04/30/12	SCALE: MEASURE ON D-SIZE ONLY AS SHOWN
							DRAWING NUMBER: E8861-723
							REVISION NUMBER: 0

ISSUED FOR CONSTRUCTION